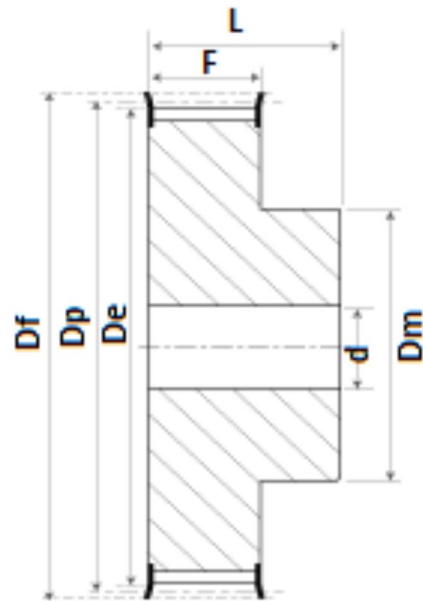
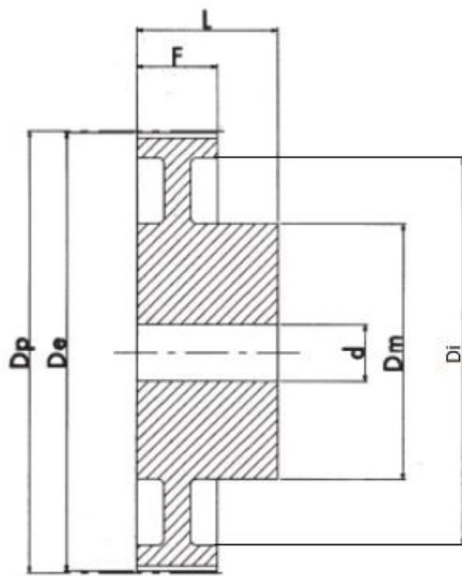


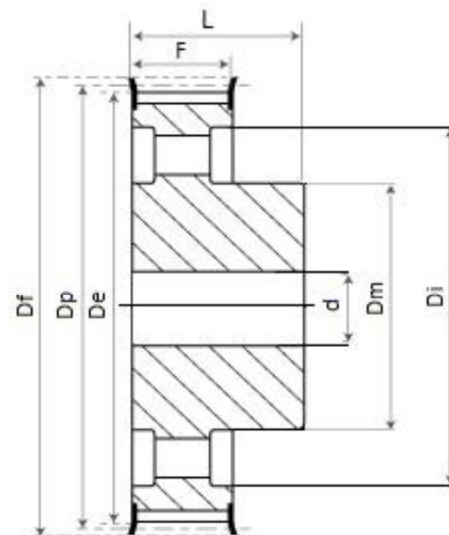
H 075 / H 100 / H 150 / H 200 / H 300



2F



4



4F

H 075

Réf	Nbr de dents	Type	Dp	De	Df	Dm	F	L	d
14 H 075	14	2F	56.59	55.22	63	40	26.4	40	10
15 H 075	15	2F	60.64	59.27	66	45	26.4	40	10
16 H 075	16	2F	64.68	63.31	71	45	26.4	40	10
17 H 075	17	2F	68.72	67.35	75	45	26.4	40	12
18 H 075	18	2F	72.77	71.39	79	55	26.4	40	12
19 H 075	19	2F	76.81	75.44	83	60	26.4	40	12
20 H 075	20	2F	80.85	79.48	87	62	26.4	40	12
21 H 075	21	2F	84.89	83.52	91	65	26.4	40	12
22 H 075	22	2F	88.94	87.56	93	68	26.4	40	12
23 H 075	23	2F	92.98	91.61	97	72	26.4	40	12
24 H 075	24	2F	97.03	95.65	103	72	26.4	40	12
25 H 075	25	2F	101.06	99.69	106	72	26.4	40	12
26 H 075	26	2F	105.11	103.73	111	80	26.4	40	12
27 H 075	27	2F	109.15	107.78	115	80	26.4	40	12
28 H 075	28	2F	113.19	111.82	119	80	26.4	40	12
30 H 075	30	2F	121.29	119.90	127	80	26.4	40	14
32 H 075	32	2F	129.36	127.99	135	80	26.4	40	14
33 H 075	33	2F	133.40	132.03	140	80	26.4	40	14
34 H 075	34	2F	137.45	136.07	143	80	26.4	40	14
35 H 075	35	2F	141.49	140.12	148	80	26.4	40	14
36 H 075	36	2F	145.53	144.16	152	80	26.4	40	14

Réf	Nbr de dents	Type	Dp	De	Df	Dm	F	L	d
38 H 075	38	2F	153.62	152.24	158	80	26.4	40	14
40 H 075	40	2F	161.70	160.33	168	80	26.4	40	14
42 H 075	42	4F	169.79	168.41	-	80	26.4	40	18
44 H 075	44	4F	177.87	176.50	184	80	26.4	40	18
48 H 075	48	4F	194.04	192.67	200	90	26.4	45	18
50 H 075	50	4	202.13	200.75	-	90	26.4	45	18

H 100

Réf	Nbr de dents	Type	Dp	De	Df	Dm	F	L	d
14 H 100	14	2F	56.59	55.22	63	40	31.8	45	12
15 H 100	15	2F	60.64	59.27	66	45	31.8	45	12
16 H 100	16	2F	64.68	63.31	71	45	31.8	45	12
17 H 100	17	2F	68.72	67.35	75	45	31.8	45	12
18 H 100	18	2F	72.77	71.39	79	55	31.8	45	12
19 H 100	19	2F	76.81	75.44	83	60	31.8	45	14
20 H 100	20	2F	80.85	79.48	87	62	31.8	45	14
21 H 100	21	2F	84.89	83.52	91	65	31.8	45	14
22 H 100	22	2F	88.94	87.56	93	68	31.8	45	14
23 H 100	23	2F	92.98	91.61	97	72	31.8	45	14
24 H 100	24	2F	97.08	95.65	103	72	31.8	45	14
25 H 100	25	2F	101.06	99.69	106	72	31.8	45	14
26 H 100	26	2F	105.11	103.73	111	80	31.8	45	14
27 H 100	27	2F	109.15	107.78	115	80	31.8	45	14
28 H 100	28	2F	113.19	111.82	119	80	31.8	45	14
29 H 100	29	2F	117.23	115.86	123	80	31.8	45	14
30 H 100	30	2F	121.29	119.90	127	80	31.8	45	14
32 H 100	32	2F	129.36	127.99	135	80	31.8	45	14
33 H 100	33	2F	133.40	132.03	140	80	31.8	45	14
34 H 100	34	2F	137.45	136.07	143	80	31.8	45	14
35 H 100	35	2F	141.49	140.12	148	80	31.8	45	14

Réf	Nbr de dents	Type	Dp	De	Df	Dm	F	L	d
36 H 100	36	2F	145.53	144.16	152	80	31.8	45	14
38 H 100	38	2F	153.62	152.24	158	80	31.8	45	14
40 H 100	40	2F	161.70	160.33	168	80	31.8	45	14
44 H 100	44	4F	177.87	176.50	184	80	31.8	50	18
45 H 100	45	4F	181.91	180.54	192	80	31.8	50	18
48 H 100	48	4F	194.04	192.67	200	90	31.8	50	18
50 H 100	50	4	202.13	200.75	-	90	31.8	50	18
52 H 100	52	4	210.21	208.84	-	90	31.8	50	18
58 H 100	58	4	234.47	233.09	-	90	31.8	50	18
60 H 100	60	4	242.55	241.18	-	120	31.8	50	18
70 H 100	70	4	282.98	281.61	-	120	31.8	55	18
72 H 100	72	4	291.06	289.69	-	120	31.8	55	18
84 H 100	84	4	339.57	338.20	-	120	31.8	55	18
96 H 100	96	4	388.08	386.71	-	120	31.8	60	18
120 H 100	120	4	485.10	489.73	-	120	31.8	60	18

H 150

Réf	Nbr de dents	Type	Dp	De	Df	Dm	F	L	d
14 H 150	14	2F	56.59	55.22	63	40	46.0	58	18
15 H 150	15	2F	60.64	59.27	66	45	46.0	58	18
16 H 150	16	2F	64.68	63.31	71	45	46.0	58	18
17 H 150	17	2F	68.72	69.35	75	45	46.0	58	18
18 H 150	18	2F	72.77	71.39	79	55	46.0	58	18
19 H 150	19	2F	76.81	75.44	83	60	46.0	58	18
20 H 150	20	2F	80.85	79.48	87	62	46.0	58	18
21 H 150	21	2F	84.89	83.52	91	65	46.0	58	18
22 H 150	22	2F	88.94	87.56	93	68	46.0	58	18
23 H 150	23	2F	92.98	91.61	97	72	46.0	58	18
24 H 150	24	2F	97.03	95.65	103	72	46.0	58	18
25 H 150	25	2F	101.06	99.69	106	72	46.0	58	18
26 H 150	26	2F	105.11	103.73	111	80	46.0	58	18
27 H 150	27	2F	109.15	107.78	115	80	46.0	58	18
28 H 150	28	2F	113.19	111.82	119	80	46.0	58	18
29 H 150	29	2F	117.23	115.86	123	80	46.0	58	18
30 H 150	30	2F	121.29	119.90	127	80	46.0	58	18
32 H 150	32	2F	129.36	127.99	135	80	46.0	58	18
33 H 150	33	2F	133.40	132.03	140	80	46.0	58	18
34 H 150	34	2F	137.45	136.07	143	80	46.0	58	18
35 H 150	35	2F	141.49	140.12	148	80	46.0	58	18

Réf	Nbr de dents	Type	Dp	De	Df	Dm	F	L	d
36 H 150	36	2F	145.53	144.16	152	80	46.0	58	18
38 H 150	38	2F	153.62	152.24	158	80	46.0	58	18
40 H 150	40	2F	161.70	160.33	168	80	46.0	58	18
44 H 150	44	4F	177.87	176.50	184	80	46.0	58	18
45 H 150	45	4F	181.91	180.54	192	80	46.0	58	18
48 H 150	48	4F	194.04	192.67	200	90	46.0	65	18
50 H 150	50	4	202.13	200.75	-	90	46.0	65	18
52 H 150	52	4	210.21	208.84	-	90	46.0	65	18
58 H 150	58	4	234.47	233.09	-	90	46.0	65	18
60 H 150	60	4	242.55	241.18	-	100	46.0	65	18
70 H 150	70	4	282.98	281.61	-	100	46.0	65	24
72 H 150	72	4	291.06	289.69	-	120	46.0	65	24
84 H 150	84	4	339.57	338.20	-	120	46.0	65	24
96 H 150	96	4	388.08	386.71	-	120	46.0	65	24
120 H 150	120	4	485.10	483.73	-	120	46.0	65	24

H 200

Réf	Nbr de dents	Type	Dp	De	Df	Dm	F	L	d
14 H 200	14	2F	56.59	55.22	63	40	58.7	70	18
15 H 200	15	2F	60.64	59.27	66	45	58.7	70	18
16 H 200	16	2F	64.68	63.31	71	45	58.7	70	18
17 H 200	17	2F	68.72	67.35	75	45	58.7	70	18
18 H 200	18	2F	72.77	71.39	79	55	58.7	70	18
19 H 200	19	2F	76.81	75.44	83	60	58.7	70	18
20 H 200	20	2F	80.85	79.48	87	62	58.7	70	18
21 H 200	21	2F	84.89	83.52	91	65	58.7	70	18
22 H 200	22	2F	88.94	87.56	93	68	58.7	70	18
23 H 200	23	2F	92.98	91.61	97	72	58.7	70	18
24 H 200	24	2F	97.03	95.65	103	72	58.7	70	18
25 H 200	25	2F	101.06	99.69	106	72	58.7	70	18
26 H 200	26	2F	105.11	103.73	111	80	58.7	70	18
27 H 200	27	2F	109.15	107.78	115	80	58.7	70	18
28 H 200	28	2F	113.19	111.82	119	80	58.7	70	18
29 H 200	29	2F	117.23	115.86	123	80	58.7	70	18
30 H 200	30	2F	121.29	119.9	127	80	58.7	70	18
32 H 200	32	2F	129.36	127.99	135	80	58.7	70	18
33 H 200	33	2F	133.40	132.03	140	80	58.7	70	18
34 H 200	34	2F	137.45	136.07	143	80	58.7	70	18
35 H 200	35	2F	141.49	140.12	148	80	58.7	70	18

Réf	Nbr de dents	Type	Dp	De	Df	Dm	F	L	d
36 H 200	36	2F	145.53	144.16	152	80	58.7	70	18
38 H 200	38	2F	153.62	152.24	158	80	58.7	70	18
40 H 200	40	2F	161.70	160.33	168	80	58.7	70	18
44 H 200	44	4F	177.87	176.50	184	80	58.7	70	18
45 H 200	45	4F	181.91	180.54	192	80	58.7	70	18
48 H 200	48	4F	194.04	192.67	200	90	58.7	75	24
50 H 200	50	4	202.13	200.75	-	90	58.7	75	24
52 H 200	52	4	210.21	208.84	-	90	58.7	75	24
58 H 200	58	4	234.47	233.09	-	90	58.7	75	24
60 H 200	60	4	242.55	241.18	-	100	58.7	75	24
70 H 200	70	4	282.98	281.61	-	100	58.7	75	28
72 H 200	72	4	291.06	289.69	-	120	58.7	75	28
84 H 200	84	4	339.57	338.20	-	120	58.7	75	28
96 H 200	96	4	388.08	386.71	-	120	58.7	75	28
120 H 200	120	4	485.10	483.73	-	120	58.7	75	28

H 300

Réf	Nbr de dents	Type	Dp	De	Df	Dm	F	L	d
14 H 300	14	2F	56.59	55.22	63	40	85.7	100	18
15 H 300	15	2F	60.64	59.27	66	45	85.7	100	18
16 H 300	16	2F	64.68	63.31	71	45	85.7	100	18
17 H 300	17	2F	68.72	67.35	75	45	85.7	100	18
18 H 300	18	2F	72.77	71.39	79	55	85.7	100	18
19 H 300	19	2F	76.81	75.44	83	60	85.7	100	18
20 H 300	20	2F	80.85	79.48	87	62	85.7	100	18
21 H 300	21	2F	84.89	83.52	91	65	85.7	100	18
22 H 300	22	2F	88.94	87.56	93	68	85.7	100	18
23 H 300	23	2F	92.98	91.61	97	72	85.7	100	18
24 H 300	24	2F	97.03	95.65	103	72	85.7	100	18
25 H 300	25	2F	101.06	99.69	106	72	85.7	100	18
26 H 300	26	2F	105.11	103.73	111	80	85.7	100	18
27 H 300	27	2F	109.15	107.78	115	80	85.7	100	18
28 H 300	28	2F	113.19	111.82	119	80	85.7	100	18
30 H 300	30	2F	121.29	119.90	127	80	85.7	100	18
32 H 300	32	2F	129.36	127.99	135	80	85.7	100	18
33 H 300	33	2F	133.40	132.03	140	80	85.7	100	18
34 H 300	34	2F	137.45	136.07	143	80	85.7	100	18
35 H 300	35	2F	141.49	140.12	148	80	85.7	100	18
36 H 300	36	2F	145.53	144.16	152	80	85.7	100	18

Réf	Nbr de dents	Type	Dp	De	Df	Dm	F	L	d
38 H 300	38	2F	153.62	152.24	158	80	85.7	100	18
40 H 300	40	2F	161.70	160.33	168	80	85.7	100	18
44 H 300	44	4F	177.87	176.50	192	80	85.7	100	24
48 H 300	48	4F	194.04	192.67	200	90	85.7	100	24
50 H 300	50	4	202.13	200.75	-	90	85.7	100	24
58 H 300	58	4	234.47	233.09	-	90	85.7	100	24
60 H 300	60	4	242.55	241.18	-	100	85.7	100	24
72 H 300	72	4	291.06	289.69	-	120	85.7	100	28
84 H 300	84	4	339.57	338.20	-	120	85.7	100	28
96 H 300	96	4	388.08	386.71	-	120	85.7	100	28
120 H 300	120	4	485.10	483.73	-	120	85.7	100	28